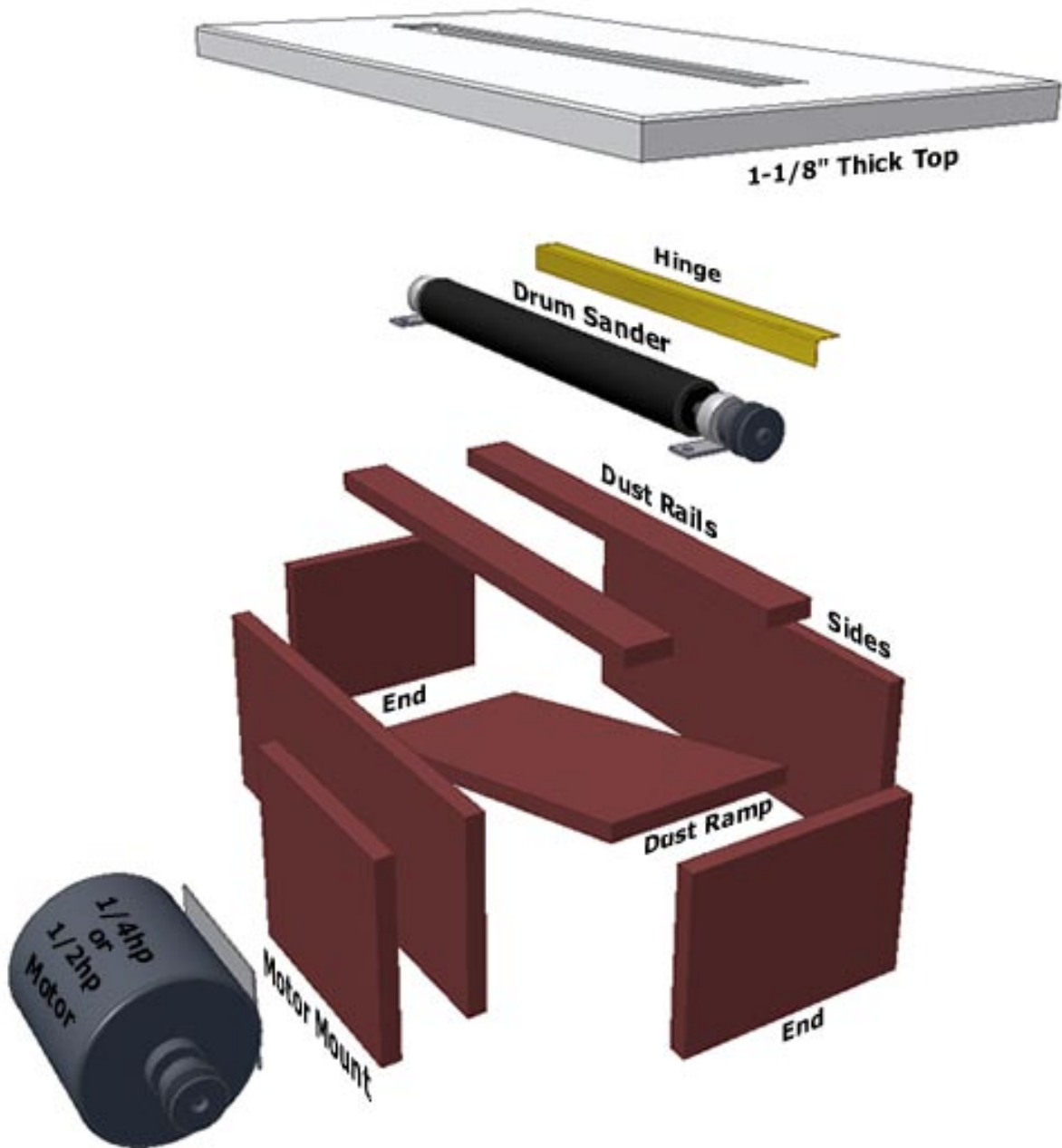


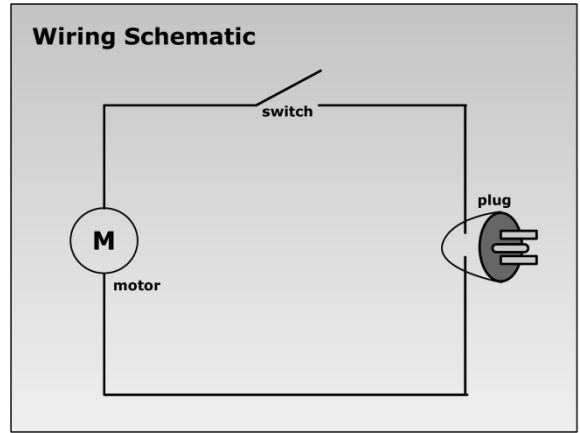
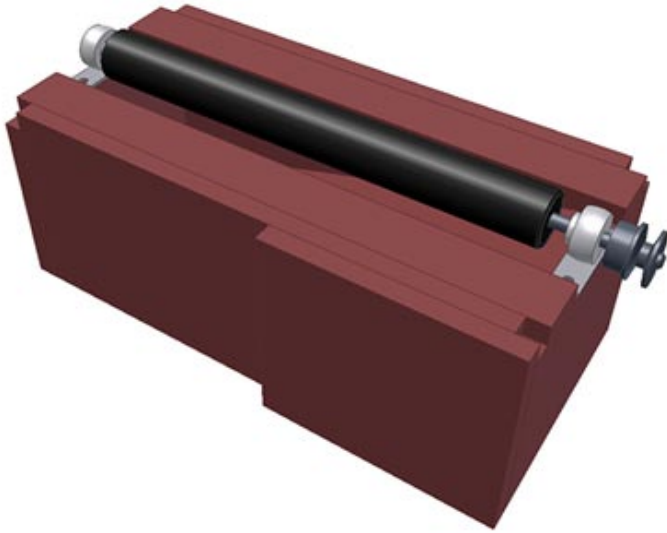
Basic Drum Sander Instructions



This design is based on our Drum Sander Video Instructions.

Note: Please adjust the dimensions according to the size of your motor. The 18" dimensions are calculated according to the NEMA 48 1/4hp motor, and the 24" and 30" dimensions are calculated according to the NEMA 56 1/2"hp motor. The dimensions in this plan are also according to the dimensions of the Drum Top that we sell. If you obtain or build your own top and its thickness is other than the 1-1/8", please make sure that you adjust the dimensions of this plan to accompany your own top. The plywood in this plan is actually 3/4" thick. The motor to be used with any of our Drum Sanders must have a rated speed of 1725/1750 rpm.

Please visit www.stockroomsupply.com to view videos of this design in use.



Note: We are not responsible for any wiring done to the Drum Sander.

18" Sander Parts List	24" Sander Parts List	30" Sander Parts List
-----------------------	-----------------------	-----------------------

Part	Cut Sizes	Part	Cut Sizes	Part	Cut Sizes
Sides	8" x 19-1/4"	Sides	9" x 25"	Sides	9" x 31"
Ends	7-1/4" x 9-9/16"	Ends	7-1/4" x 9-9/16"	Ends	7-1/4" x 9-9/16"
Dust Rails	2" x 20-3/4"	Dust Rails	2" x 26-1/2"	Dust Rails	2" x 32-1/2"
Motor Mount	8" x 9"	Motor Mount	9" x 10"	Motor Mount	9" x 10"
Top	15-1/2" x 30" x 1-1/8"	Top	15-1/2" x 35-1/2" x 1-1/8"	Top	15-1/2" x 41-1/2" x 1-1/8"
Dust Ramp*	8" x 20-1/4"	Dust Ramp*	8" x 25-3/4"	Dust Ramp*	8" x 31-5/8"

* Ends cut at 15°

* Ends cut at 12°

* Ends cut at 10°

- 5'x5' 3/4" Plywood
- 18" Works Kit
- 1/4hp 1750rpm
- #8 x 1-3/4" Screws
- #8 Washers
- 18" Piano Hinge
- Screws for the Hinge
- Outlet Box
- 120v Switch
- Male 120v Plug
- 7ft 14-2 Flexible Cord Wire
- Optional: Prebuilt Top

- 5'x5' 3/4" Plywood
- 24" Works Kit
- 1/2hp 1750rpm
- #8 x 1-3/4" Screws
- #8 Washers
- 24" Piano Hinge
- Screws for the Hinge
- Outlet Box
- 120v Switch
- Male 120v Plug
- 7ft 14-2 Flexible Cord Wire
- Optional: Prebuilt Top

- 5'x5' 3/4" Plywood
- 24" Works Kit
- 1/2hp 1750rpm
- #8 x 1-3/4" Screws
- #8 Washers
- 30" Piano Hinge
- Screws for the Hinge
- Outlet Box
- 120v Switch
- Male 120v Plug
- 7ft 14-2 Flexible Cord Wire
- Optional: Prebuilt Top