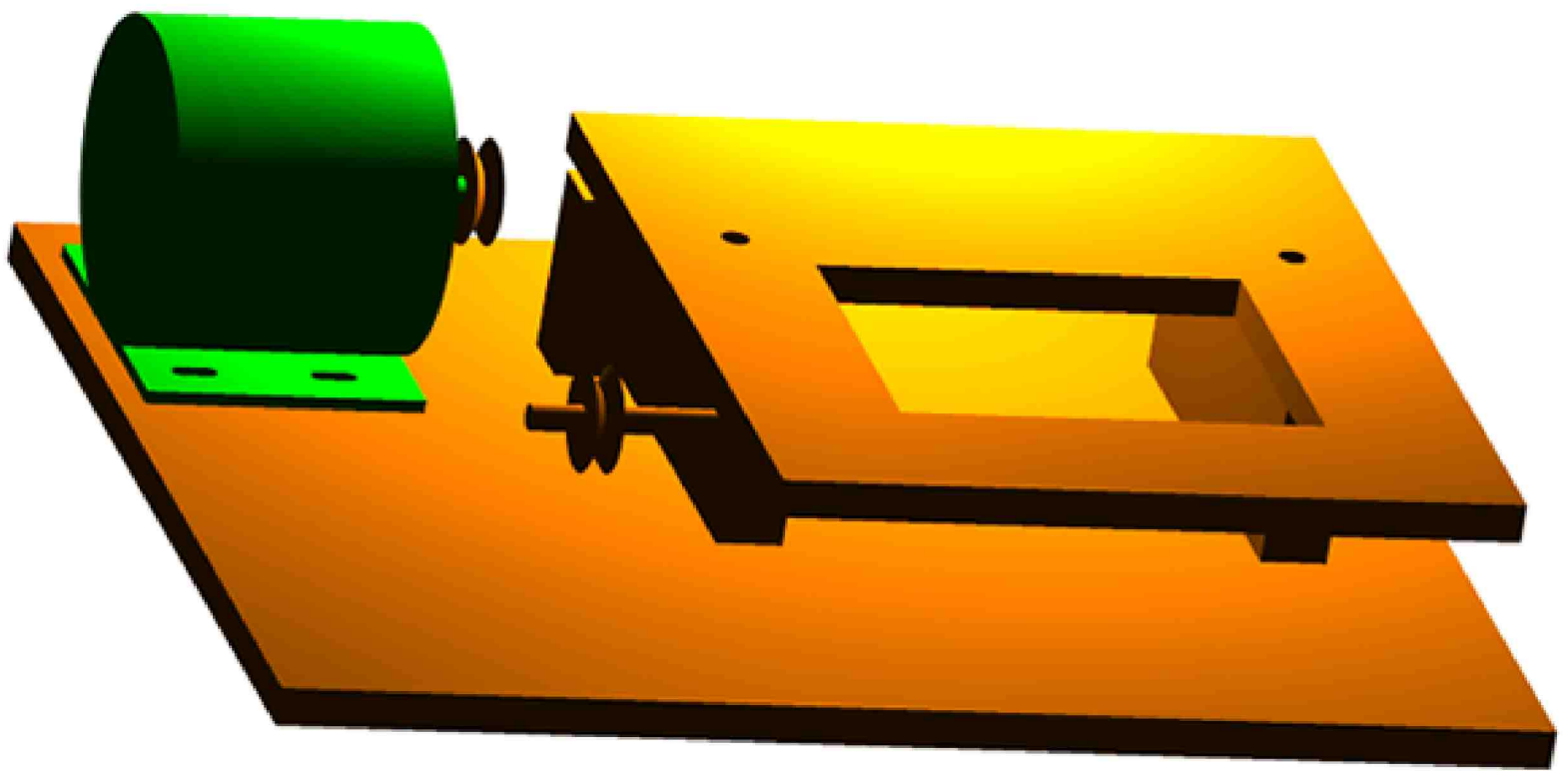
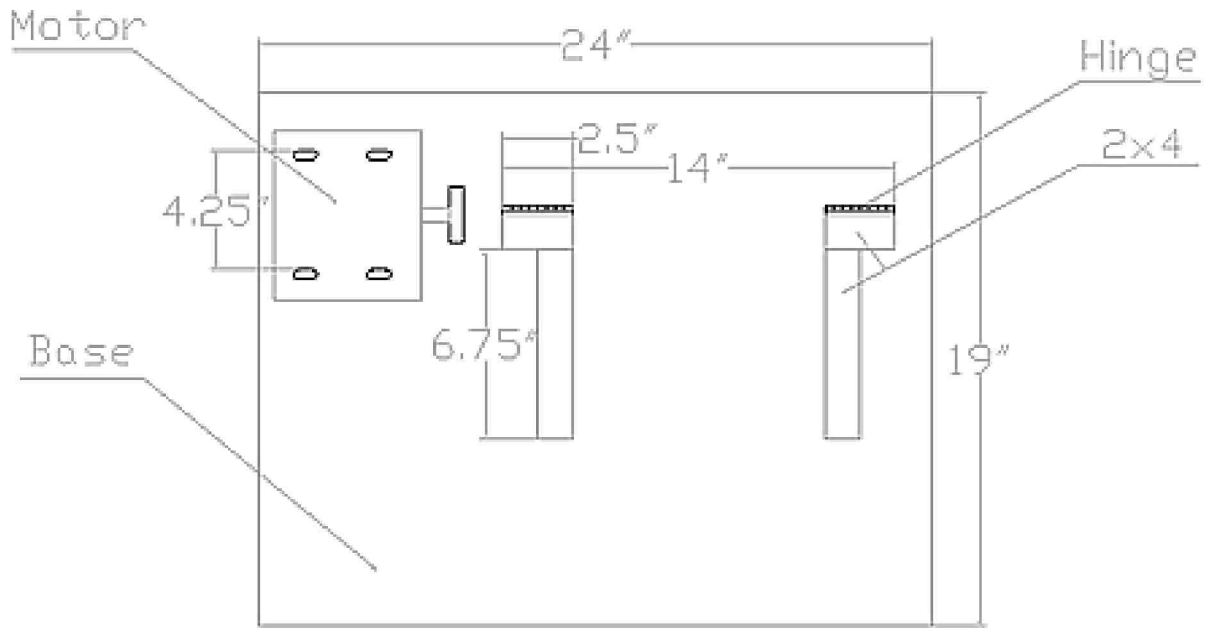


Basic Moulding Sander Plan

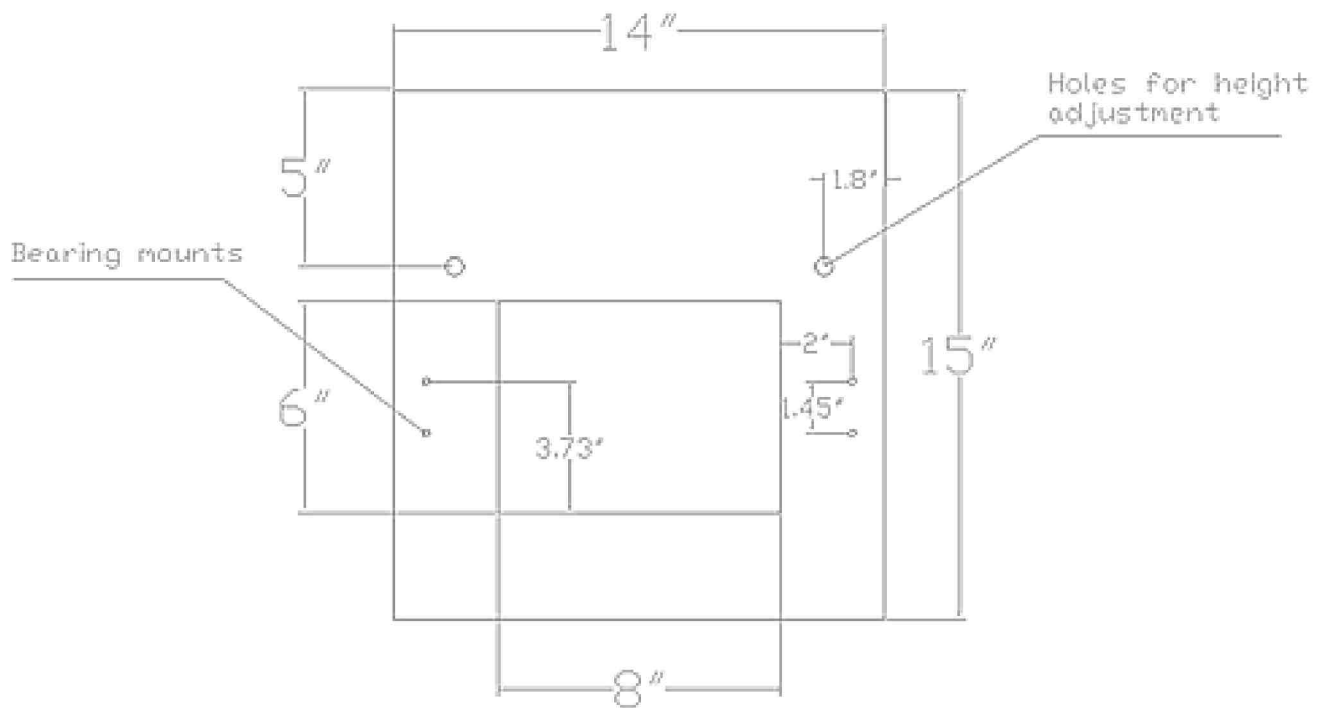


Revision 1.01

Base



Lid



Parts List

Description	Dimensions	Quantity
Base	24" x 19" x 1/2"	1
Hinge Support	2 x 4 - 2.5" in length	2
Guides	2 x 4 - 6.75" in length	2
Lid	14" x 15" x 1/2"	1
Electric Motor - 1/2 hp or more		1
Door Hinges		2
Moulding Sander Kit		1
Includes:		
3" x 5/8" pulley		1
2.2" x 5/8" pulley		1
Sander Head		1
Link Belt		1
Power Cord		1
Male Plug		1
Switch		1